

ProcessProbe™ D.O. Sensor

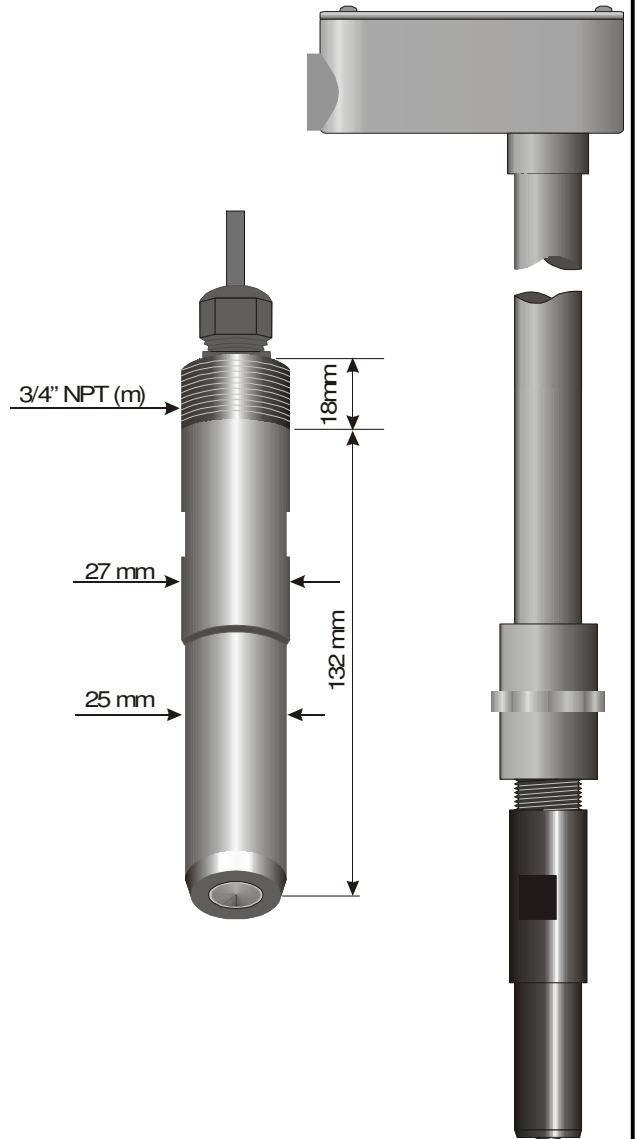
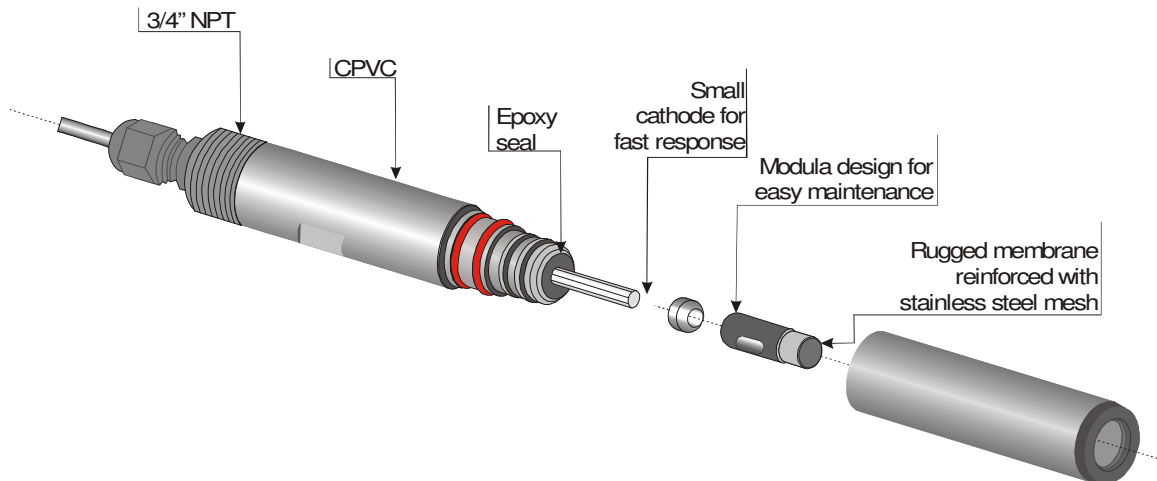
Dissolved Oxygen Measurement For the Process Industries

The ProcessProbe D.O. sensor has been designed for use in any process streams or wastewater application. The body is machined from CPVC with integral 3/4" NPT threads for easy installation. It also has a built-in thermistor for automatic temperature compensation. The dual-layer membrane is reinforced with stainless steel mesh. This mesh helps the membrane resist damage from particulates in the process stream, extending the longevity of the sensor. The modular design of the membrane assembly makes regular maintenance simple and fast.

Specifications :

Temperature Range0 - 80°C
 Max Pressure.....Atmospheric
 Response Time.....98% in 60 seconds at 25°C
 Sensor Body.....CPVC
 Membrane.....PTFE/Silicone reinforced with stainless steel mesh
 O-Ring Seals.....Silicone rubber
 Standard Cable Length.....10 ft.

MODEL NO.: E-1733-SAM-D25S5



DISSOLVED OXYGEN