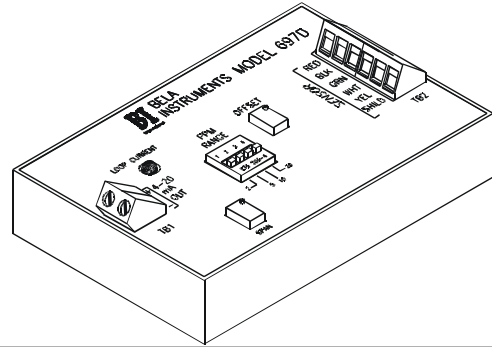


Model 697D Membrane Dissolved Oxygen System (with non-indicating two-wire transmitter)

- Switch-selectable Measuring Ranges.
- Calibration Adjustment Capability.
- Automatic Temperature Compensation.
- Converts/Transmits Measured values To a Standard 4-20 mA output.
- Simplified Hookup.
- Optional NEMA 4X protection.



Specifications

Operational:

Measuring Ranges.....0-2 ppm, 0-5 ppm, 0-10 ppm or 0-20 ppm; switch selectable
 Ambient Conditions.....-22 to + 140°F (-30 to + 60°C); 0 to 95% relative humidity, non-condensing
 Temperature Compensation.....Automatic 32-122°F (0-50°C)
 Sensors-to-Transmitter Distance.....50 ft.
 Output Transmission Distance.....Limited only by wire resistance and power supply voltage
 Power Requirements.....18 to 28 volts DC

Performance (Electrical, 4-20 mA Output, Non-Isolated)

Sensitivity0.01% of span
 Stability.....0.1% of span per 24 hrs., non-cumulative
 Non-linearity0.1% of span
 Repeatability0.25% of span or better
 Span: 0.015% of span per °C
 Response Time2 minutes to 90% of value Upon step change

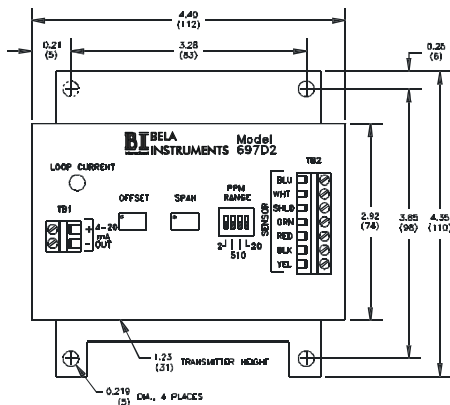
Insertion Loss at 20 Ma....9.5 volts DC (475 ohms maximum insertion loss in the 4-20 mA loop)

Mechanical:

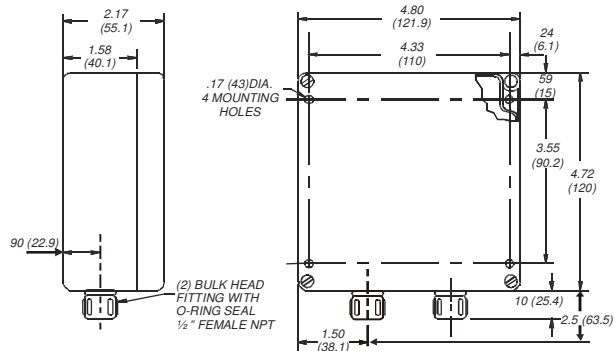
Enclosure (optional).....NEMA 4X, polycarbonate, Surface mount
 Net Weight (less optional enclosure) 6 lbs. (0.27 Kg) approx.

Dimensions

Inches (mm)



Model 697D2R0 Transmitter



NOTES: 1) ALL DIMEN. INCHES (mm)
 2) ENCLOSURE-POLYCARBONATE
 BULKHEAD FITTING-PVC

Optional Surface-mount Enclosure

