

## Model RP2K1 Positioners

(for Automatic/Manually retracting/inserting pH/ORP (REDOX) electrodes)

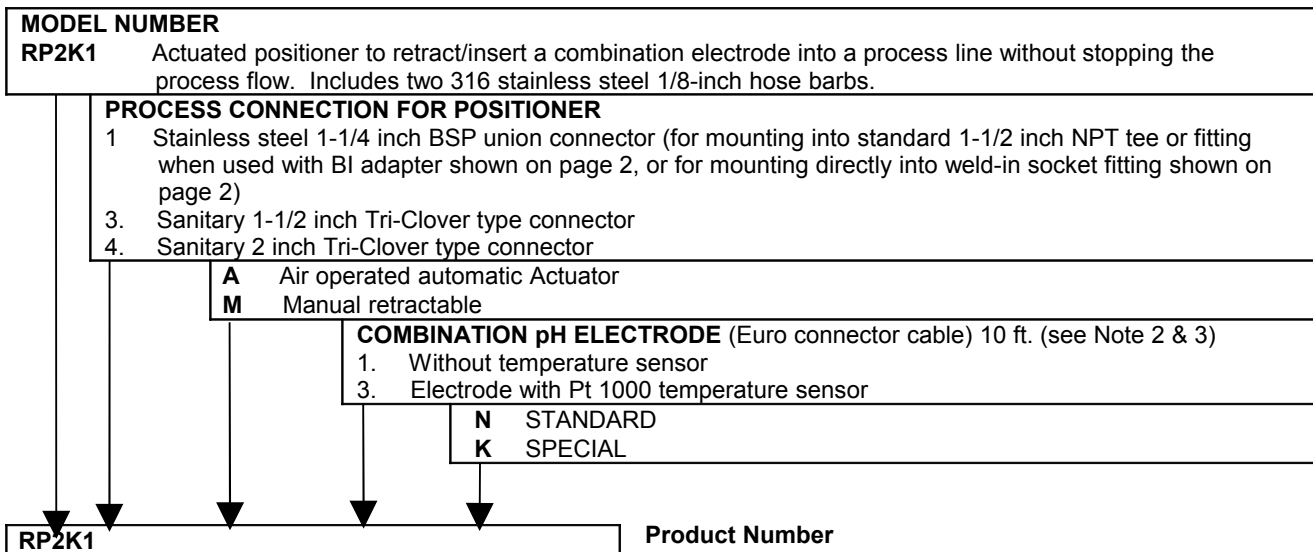
- Positive Position Locks
- Three Process Connection Styles
- Corrosion-resistant Materials (Optional)
- Integral Solution Chamber
- Quality Combination pH/ORP (Redox) Electrode
- Reliable Design



### Specifications

Wetted Materials.....	316 stainless steel Viton O-rings (Note 1) and glass pH electrode with PTFE junction
Non-wetted Materials.....	Acetal body/equivalent.
Optional pH Electrode Temperature Range.....	Steam Sterilization: 130°C (266 °F) maximum for 30 minutes Normal Operation: (-10 to + 100°C) (14 to 212°F)
Process Pressure Range.....	0 to 60 psi (0 to 4.1 bar)
Solution chamber Pressure Range.....	0 to 30 psi (0 to 2.06 bar)
Maximum Process flow Rate.....	10 ft. (3m) per second
Electrode Measuring Range.....	0 to 14 pH
Electrode Cable.....	10 Ft. (3m) with stripped and tinned wires
Electrode end Connection.....	Euro Connection

### Ordering Information



Choose one from each category.

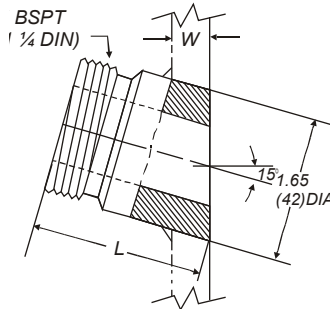
- NOTES:**
- For aggressive process Kalrez<sup>®</sup> Oring available
  - The positioner can be used with other electrodes that are 225 mm long by 12 mm in diameter.
  - This electrode can withstand typical steam sterilization CIP cleaning, or the electrode can be cleaned when it is fully retracted from the process.

## Accessories (order separately):

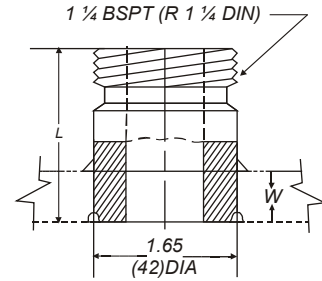
- **Spare pH electrode F635 – B225 – DH PT1K P/N**  
Electrode includes integral Pt1000 temperature sensor
- **Spare pH electrode F635 – B225 – DH P/N**  
Without temperature sensor
- **Spare ORP sensor F935 – B225 DH.**

- **PVC Tubing**  
¼ inch O.D. PVC tubing for cleaning requirements. To order, substitute required length in whole feet for “XXX” In part number suffix.  
For specify –o15 suffix for 15 ft.

### Weld-in Socket Fittings (316 SS)



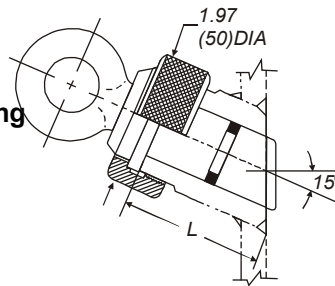
Fitting With 15° Chamfer



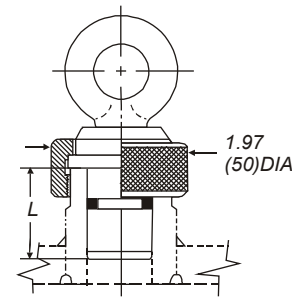
Straight Fitting

Fitting Type	Product Number	Length (“L” Dim.)		Wall Thickness (“W” Dim.)	
15° Chamfer	60F1040-040	40mm	1.57 inches	3-8mm	0.12-0.31 inches
Straight	60F1041-040	40mm	1.57 inches	6 – 13 mm	0-24 – 0.51 inches

### Blind plug (316 SS for tight closing of weld-in socket fittings)



Plug with 15° Chamfer



Straight Plug

Plug Type	Product Number	Length (“L” Dim.)	
15° Chamfer	60A9950-040	40mm	1.57 inches
Straight	60A9949-040	40mm	1.57 inches

### Model RP-2K1M Manual-actuated Positioner With 1 – ¼ Inch BSP Connection

