



Repeatability ..... 0.05% of span or better  
 Temp. drift ..... Zero: 0.002 % of span/°C, Span  
 0.009% of span/°C  
 Response time ... 3 secs. to 99% of value upon step change

(with flame retardant additive),  
 stainless steel hardware  
 Mounting ..... Panel, Surface or horizontal pipe  
 Configuration mount optional  
 Net weight ..... 12 lbs. (5.5 kg) maximum

**Analyser Mechanical:**

Enclosure ..... NEMA 4X, styrene structural foam

**Ordering Information**

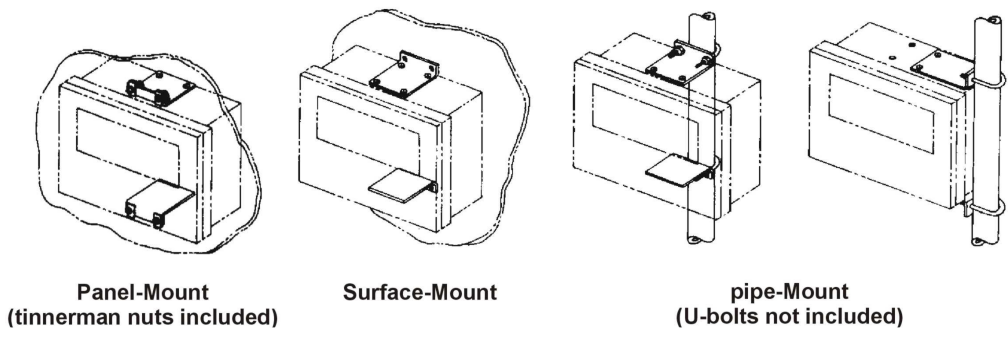
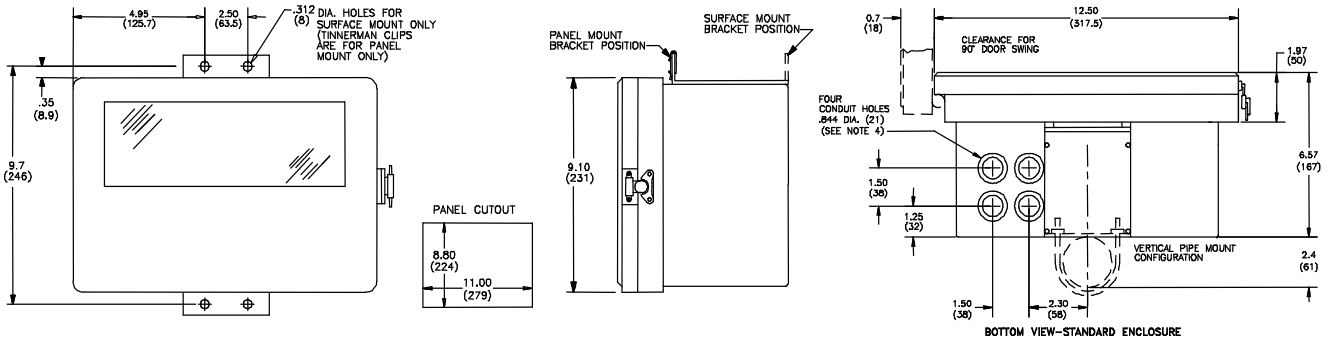
<b>MODEL NUMBER</b>	
<b>90D</b> NEMA 4X, styrene structural foam (with flame retardant additive) enclosure including stainless steel mounting brackets. The Model 90 can be panel, surface or pipe mounted, depending on the bracket attachment configuration.	
<b>DISPLAY</b>	
<b>1</b> Digital 0-1.99 ppm and 0-19.9 ppm switch selectable (Note A)	<b>2</b> Meter, 4 1/2" dual-scaled
<b>ANALOG OUTPUT</b>	
<b>F</b> Isolated 4-20 mA, Non-isolated 0-1 mA and 0-5 VDC plus	
<b>LINE VOLTAGE</b>	
<b>1</b> 115 VAC, 50 Hz	<b>2</b> 240 VAC, 50 Hz
<b>RELAYS</b>	
<b>A</b> None	<b>B</b> Two control relays (with adjustable deadband)
<b>C</b> Two alarm relays (with fixed deadband)	
<b>CONTROLLERS</b> (Transit time feature included)	
<b>0</b> None	<b>1</b> Two-mode (one 4-20 mA signal - Note A)
<b>3</b> Two-mode percent of cycle (one set of SPDT contacts - Notes A and B)	
<b>N</b> Standard Instrument	
<b>K</b> Special Instrument	

**90D**      **F**      Product Number

Choose one from each category.

- NOTES:**
- A. Digital display is not available when Controller Option 1 or 3 is ordered
  - B. When Controller Option 3 is ordered, the Relay Option must be specified as A and B

**Enclosure Dimensions & Mounting - Inches (mm)**



6/309, Jogani Industrial Complex, V. N. Purav Marg, Chunabhatti, Mumbai - 400 022.  
 Tel. : 022 - 2405 5601 - 06 Fax. : 022 -2405 5952.  
 Email. : belainst@vsnl.com Website.: Www.belainstruments.com

For Upgradation, BI reserves the rights to alter the specifications at any time.