

Model 7028 pH and ORP (REDOX) Sensors (PVDF BODY) for the PROCESS & WATER Industries

The **Differential Electrode Measurement Technique**, (DEMT) a field-proven Concept, revolutionized pH/ORP measurement technology. BI began the introduction of this specialized concept which significantly reduced routine maintenance while providing measurements of greater stability than combination pH systems.

The 7028 is a very stable, rugged, **field serviceable** (Change of Salt Bridge and Electrolyte solution) Sensor assembly designed for IN-LINE or SUBMERSION application in the PROCESS & WATER industries.

★ Advanced Technology Provides

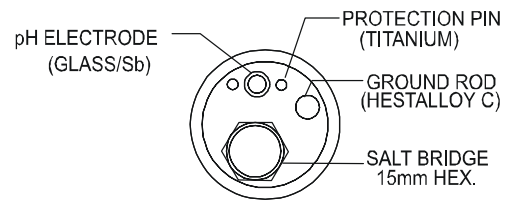
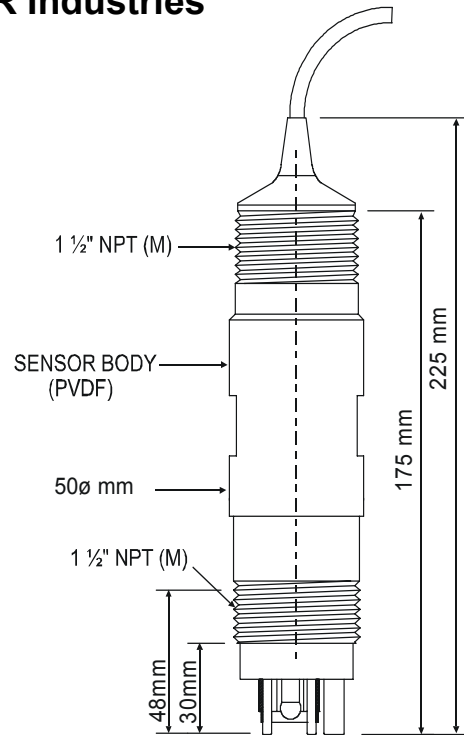
- Reduced CLEANING Frequency
- Reduced CALIBRATION Frequency
- narrow OFFSET Band
- Ground Loops & Noise Signal Compensation.
- Fast temperature response

Additional Features:

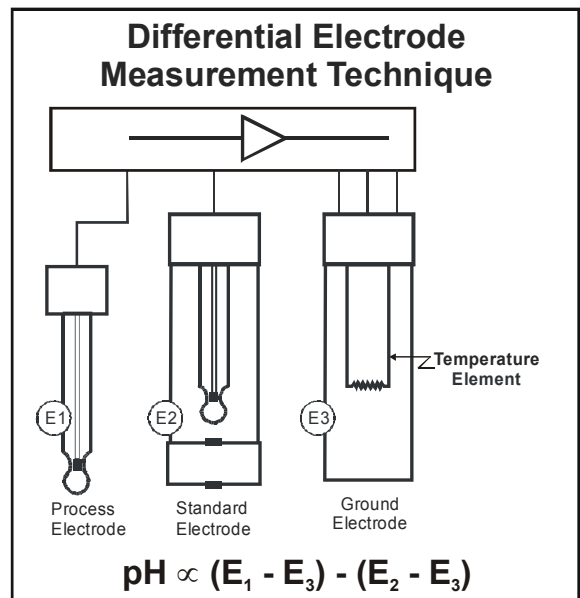
- Replaceable salt bridge & electrolyte solution
- Complete encapsulation, convertible mounting style.
- Built-in Temp compensation for pH
pt 1000/Thermistor 300 NTC
- Solution ground - Hastelloy C
- In-built preamplifier/two-wire transmitter (TWT)
- Guards (Ti / Hastelloy C) for active Electrode protection.
- Superior pH bulb - Temp. Shock Resistant Glass.
- Special Cable strain relief (EPDM)
- MOC: glass filled PVDF - higher chemical resistance
- better threads
- Sensor to analyser distance -upto 3000 ft.

Specifications:

- pH Sensor Range.....pH 1 to 14pH
 - ORP Sensor Range.....mV 2000
 - Temp Range.....0 - 95 °C (100 °C optional)
 - Max Pressure/Temp.... 100 psig at 95 °C
 - Wetted materials.....PVDF, Glass, Titanium, Hastelloy C
 - Salt Bridge MOC.....LCP/Ryton/PVDF
 - Seals.....Viton / Kalrez¹
 - Std cable length.....20 feet.
 - Sensitivity (pH/ORP):...less than 0.005 pH / 0.5 mV (ORP)
 - Stability (pH/ORP):0.03 pH per 24 hrs/2 mV (ORP)
per 24 hrs.
 - Process Connection.....1 1/2" NPT (M) (Convertible)
1. Kalrez: Tradename - Du Pont Teflon elastomer



BOTTOM VIEW



Ordering Information

Parameter

7028	pH	Convertible with 20' cable (inbuilt preamp)
7428	pH	Convertible with 20' cable (inbuilt TWT)
3028	ORP	Convertible with 20' cable (inbuilt preamp)
3428	ORP	Convertible with 20' cable (inbuilt TWT)

Electrode Material

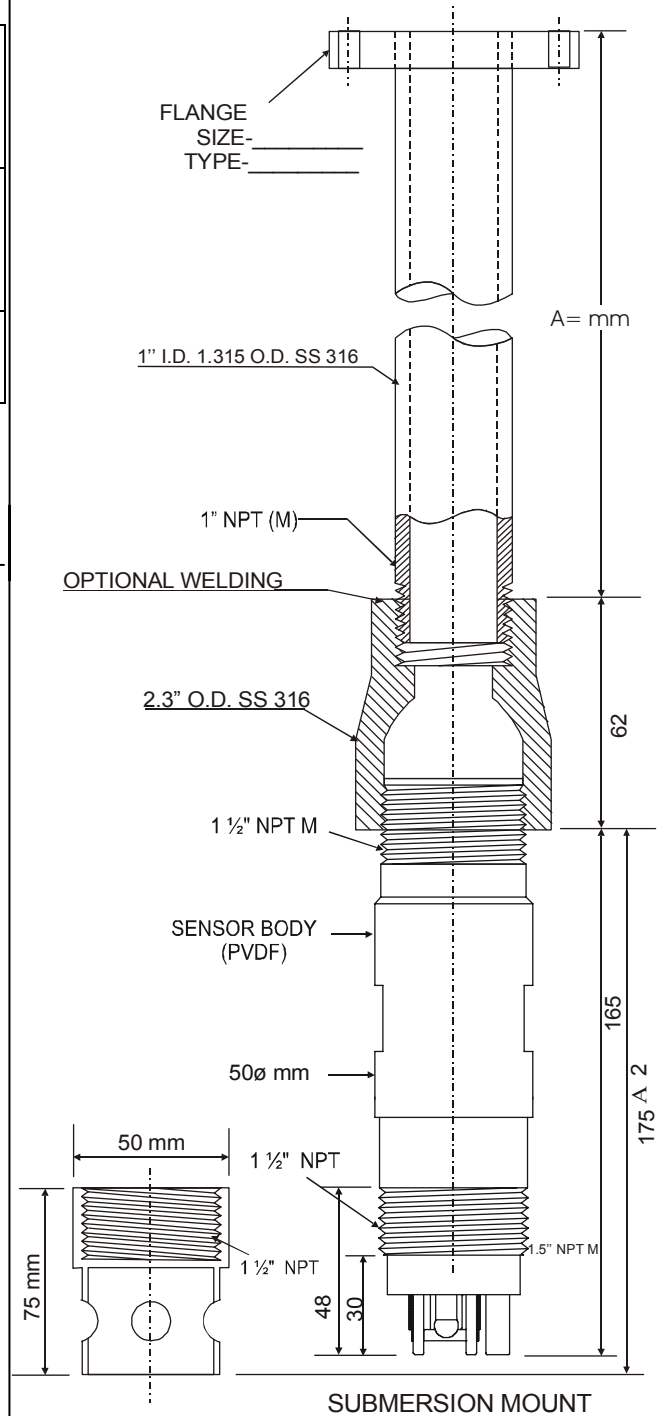
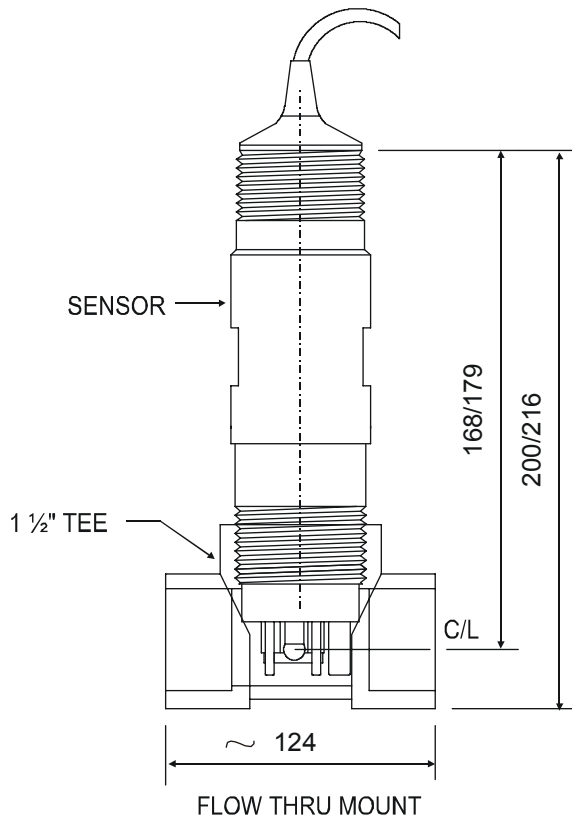
PO	Glass (pH)
PI	Antimony (pH) (Range 3 to 8 pH only)
RO	Platinum (ORP)
RI	Gold (ORP- for plating application)

Temperature Compensation

THERM-	Thermistor NTC (300Ω at 25 °C)
RTD	- Pt1000 (1000 Ω at 0 °C)

Product Number

Choose one from each category.



NOTE: ALL DIMENSIONS ARE IN mm. UNLESS OTHERWISE SPECIFIED