

## Model 671D Dissolved Oxygen Analyser

### FEATURES

- Built – in transmitter & controller.
- Accepts most D.O. sensors
- Standard outputs: 4 – 20mA, 0–1 mA, 0-5 VDC.
- ON/OFF control with deadband.
- NEMA 4X protection.
- Universal mounting.
- Blind version available.



### Specifications

#### Operational:

Display .....	3-1/2 Digit LCD with 1/2 inch (13 mm) high digits/3-1/2 inch analog meter; Includes D.O./temp. measuring mode BI-color LED indicator
Ambient Conditions: Models 671D .....	0 to 50°C (-32 to 122°F, 0 to 100% R.H. non-condensing)
Range.....	0–20 PPM
Temperature Compensation.....	Automatic, 0 to 40°C (32-104°F)
Sensor-to-Analyzer Distance....	1000 feet (305 m) max.
Power Requirements .....	98-132 VAC, 50/60 Hz. (Less than 5 VA); Optional 195-265 VAC, 50/60 Hz. (less than 5VA)

#### Relay Function:

Control Setpoints .....	Continuously adjustable, 0-100% of full scale
Control Deadband .....	Continuously adjustable, 0-15% of full scale
Alarm Relay, Dual Setpoints .....	High and low, individually adjustable, 0-100% of full scale
Indicators .....	LED lights when respective relay turns on
Contact Rating .....	SPDT; 5A 115/250 VAC; 5A @ 30 VDC resistive

**NOTE:** Control relay operates in response to increasing or decreasing reading, switch selectable.

Analog Outputs ..Standard .....	Non-expandable and non-isolated 0-1 mA 100 Ω max. Load or 0-5 VDC 500K Ω min. Load
Optional.....	Expandable and non-isolated 4-20 mA 825 Ω max. Load Isolation for expandable 4-20 mA output only, drives 20-500 Ω loads

**Range Expand** - The 4-20 mA output can be made to represent a selected segment of the display scale. This segment cannot be smaller than 10% of the measuring scale span, but may be positioned anywhere within that span.

#### ANALYZER PERFORMANCE

##### (Electrical, Analog Outputs):

Sensitivity .....	0.1% of span
Stability.....	0.1% of span per 24 hrs., non- cumulative
Repeatability .....	Better than .0.1% of span
Temperature Drift.....	Zero and span: 0.01% of span per °C
Non-linearity .....	0.1% of span
Response Time .....	.35 seconds to 90% of value upon step change

##### Mechanical:

Enclosure.....	NEMA 4X, 1/2 DIN with stainless Steel mounting brackets
Mounting Configurations.....	Surface, panel and horizontal Pipe mount. Vertical pipe Mounting optional
Net Weight.....	3 lbs. (1.3 Kg) approx.

## Ordering Information

<b>MODEL NUMBER</b> 671D	Analyzer in NEMA 4X, 1/2 DIN enclosure with stainless steel mounting brackets
<b>DISPLAY</b> 1 Digital display 0 Analog display	
<b>LINE VOLTAGE</b> V1 115 VAC, 50/60 Hz V2 230 VAC, 50/60 Hz	
<b>ANALOG OUTPUT</b> I0 Without 4-20mA I1 With 4 – 20mA	
<b>RELAYS</b> R0 Without Relays R1 With Relays	
N Standard Instrument K Special Instrument	

Product Number: 671D

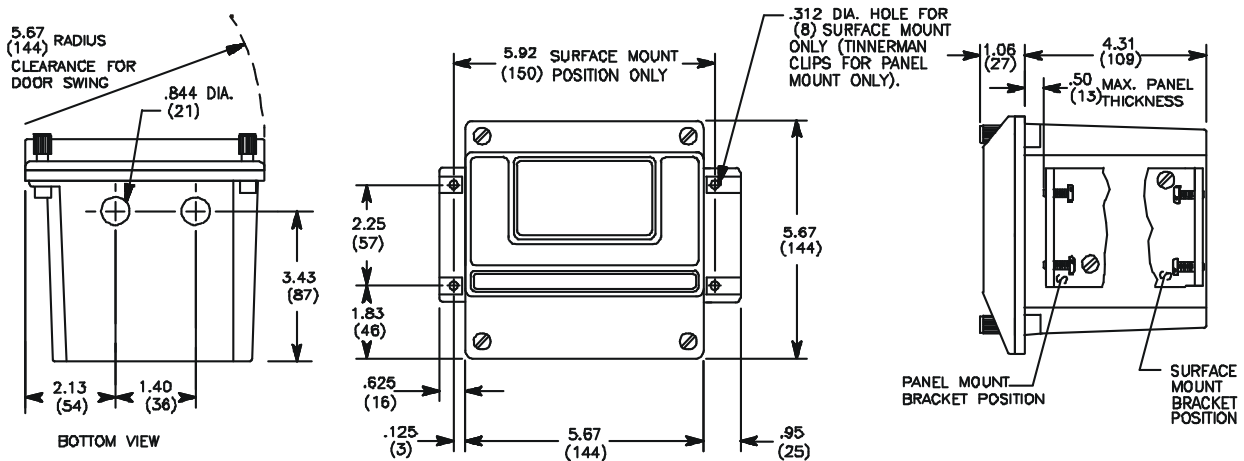
Choose one from each category.

### Accessories (ordered separately)

- Dissolved Oxygen Sensors for waste water.
- Dissolved Oxygen Sensors for fermentation
- Interconnect Cable (5-wire, 4 conductor plus shield)
- Membrane Kit Includes:  
4 sets of Membrane cartridges, O-rings & Gasket  
One (1) Electrolyte Bottle (25 ml)

## Dimensions

Inches (mm)



Panel Cutout 5.43 in. (138 mm) square

**BI** BELA  
International INSTRUMENTS

6/309, Jogani Industrial Complex, V. N. Purav Marg, Chunabhatti, Mumbai - 400 022.  
Tel. : 022 - 2405 5601 - 06 Fax. : 022 -2405 5952.  
Email. : belainst@vsnl.com Website.: Www.belainstruments.com

For Upgradation, BI reserves the rights to alter the specifications at any time.