

Ordering Information

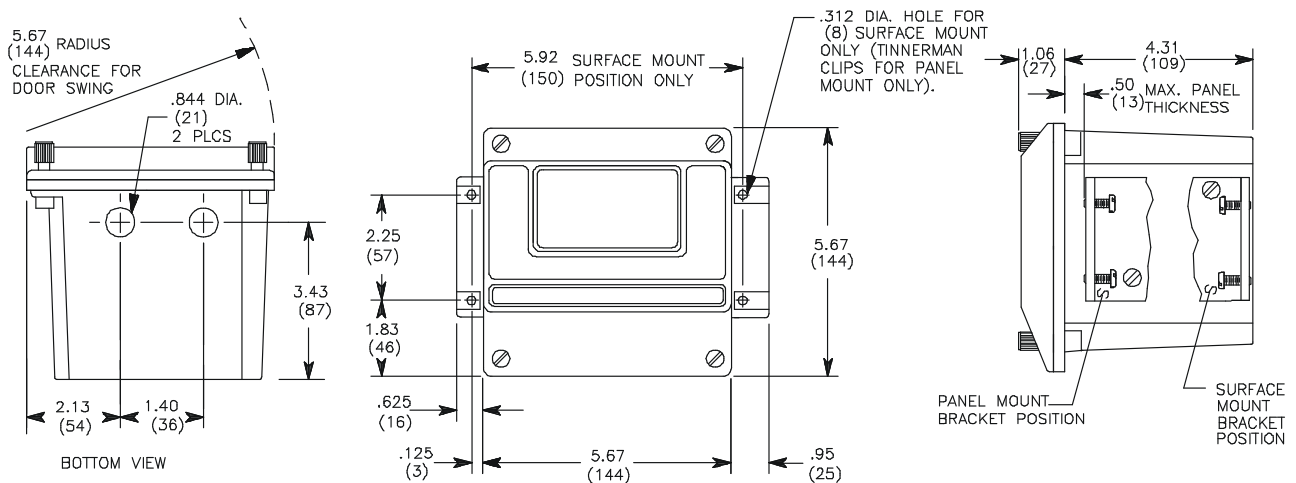
MODEL NUMBER	671 Analyzer in NEMA 4X, ½ DIN enclosure with stainless steel mounting bracket.
TYPE OF MEASUREMENT	C Contacting Conductivity E Electrodeless Conductivity
DISPLAY (Specify measuring range)	3 Digital LCD (microSiemens/cm) 7 Digital LCD (millisiemens/cm)
LINE VOLTAGE	1 115 volts, 50/60 Hz. 2 230 volts, 50/60 Hz
ANALOG OUTPUT	C Non-isolated 4-20 mA F Isolated 4-20 mA I0 Without 4 – 20 mA output
RELAYS	R0 Without Relays R1 With Relays
TEMPERATURE ELEMENT	A THERMISTOR 3000Ω B RTD Pt1000Ω
CELL CONSTANT *	K1 = 0.05 K2 = 0.5 K3 = 1.0 (NTC 3 KΩ only) K4 = 10 (NTC 3 KΩ only) K5 = Special
	N Standard Instrument K Special Instrument
671	

Choose one from each category.

* Only for 671C type of measurement

Dimensions

Inches (mm)



Panel Cutout 5.43 in. (138 mm) square

BI BELA
international INSTRUMENTS

6/309, Jogani Industrial Complex, Near ATI, V. N. Purav Marg, Chunabhatti, Mumbai-400 022.

Tel.: 2524 6844/45/46 Fax : (91-22) 2523 5952

E-mail: belainst@vsnl.com Website: www.belainstruments.com

For Upgradation, BI reserves the rights to alter the specifications at any time.