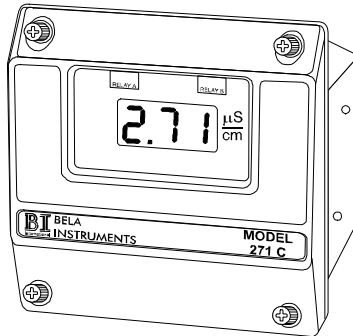


Model 271 TWO-CHANNEL Conductivity Analyser Water Purification Equipment Monitor



- "Two Instruments in one" makes excellent choice for OEMs
- Dual channel conductivity measurement (e.g. Feed and product water) (Optional Single Channel)
- Choice of cell constant
- Auto temperature compensation to 25°C, range 0-125°C
- 0.01 μS/cm resolution for 0-20 μS/cm
- Ranges: 0-20, 0-200 and 0-2000 μS/cm
- Continuous 0-5 VDC/0-1 mA outputs for both channels for alarm, control or record
- Non interacting isolated 4 - 20 mA output, range expandable to 10% of scale.

- Frequency output 200Hz to 2Khz
- Two programmable relays operate on increasing or decreasing conductivity, switch selectable. One relay for each channel.
- 3 1/2 digit, 0.75" high visibility LCD
- Front panel identification for selected channel and relays
- NEMA 4X (IP 65) enclosure (panel cut out 1/2 DIN)
- Universal mounting
- Economical - ideal for custom system designs (OEM)

Specifications

Operational

Display: Digital	3 1/2 digit, 0.75" LCD
Ambient Conditions	-30 to 50 °C (-22 to 122 °F), 0-100% R.H. non-condensing
Relays ¹ 1 (1 & 2)	For ON/OFF control. One for channel.
Control set point	Continuously adjustable, 0-100 % of full scale.
Control Dead Band	Fix (Optional adjustable, 0-15 % of full scale.)
Indicators	LED lights when respective relay turns on
Contact Rating	SPST, 5A, 115/250 VAC, 5A 30 VDC resistive Potential free
Power Requirements	98-132 VAC, 50/60 Hz (less than 5 VA), optional 195-265 VAC, 50/60 Hz, connections via terminal strip.
Analog outputs: Standards	a) For each channel, Non expandable and non-isolated: 0-1 mA, 100 ohms maximum load OR 0-5 VDC, 500K ohms minimum load
Sensors to Analyzer Distance	300 feet maximum

- Notes:
1. Control relay turns on in response to increasing reading (standard version). Option: CONTROL MODE Switch Selectable.
 2. Range Expand - The 4-20 mA output can be made to represent a selected segment of the display scale. This segment can not be smaller than 10% of the scale span, but may be positioned anywhere within that span.
 3. Either 4-20mA analog output OR frequency output is available.

Performance (Electrical, 4-20 mA Outputs)

Sensitivity	0.1% of full scale
Stability	0.1% of full scale per 24 hrs., non-cumulative
Repeatability	0.1% of span
Non-Linearity	0.5% of span
Temperature Drift	Zero: 0.02% of span/C, Span: 0.02% of span/C
Response Time	3 seconds to 99%

Mechanical

Enclosure	NEMA 4X, polycarbonate, with two 1/2" conduit holes and stainless steel mounting brackets. Surface, panel and optional pipe mount.
Net Weight	1.36 Kgs. approx.

Ordering Information

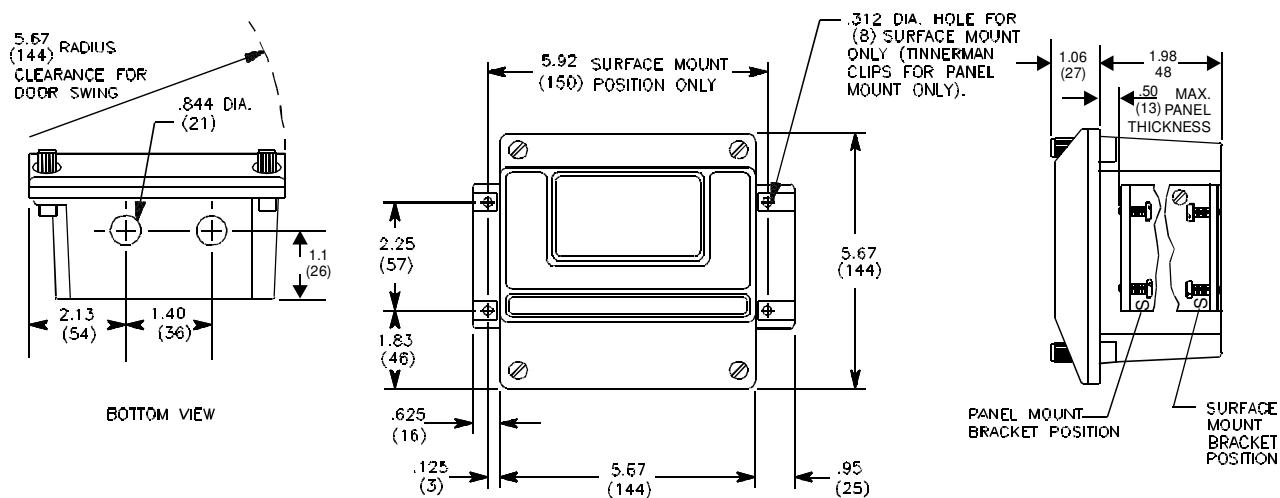
MODEL NUMBER	
271C Analyzer in NEMA 4X, 1/2 DIN, PVC or Polycarbonate enclosure with SS mounting bracket. With cell constants: 0.05 for upto 0-200 $\mu\text{S/cm}$, 0.5 for upto 0-2000 $\mu\text{S/cm}$	
CHANNEL SELECTION	
1 – Single Channel 2 – Dual Channel	
CHANNEL A RANGE SELECTION	
A1 0-20 $\mu\text{S/cm}$, A2 0-200 $\mu\text{S/cm}$,	A3 0-2000 $\mu\text{S/cm}$ AK Special
CHANNEL B RANGE SELECTION	
B1 0-20 $\mu\text{S/cm}$, B2 0-200 $\mu\text{S/cm}$,	B3 0-2000 $\mu\text{S/cm}$ BK Special
LINE VOLTAGE	
1 115 volts, 50/60 Hz. 2 230 volts, 50/60 Hz	
ANALOG OUTPUT	
I0 Without 4 – 20mA output I1 With 4 – 20mA output (<i>Non interacting Isolated</i>)	
Frequency output (Isolated)	
F1 – 200Hz to 2KHz	
RELAYS	
R0 Without Relays R1 With Relays	
N Standard Instrument K Special Instrument	

271C Product Number

Choose one from each category.

Enclosure Dimensions & Mounting

Inches (mm)



Panel Cutout 5.43 in. (138 mm) square

BI BELA
International INSTRUMENTS

6/309, Jogani Industrial Complex, V. N. Purav Marg, Chunabhatti, Mumbai - 400 022.
Tel. : 022 - 2405 5601 - 06 Fax. : 022 -2405 5952.
Email. : belainst@vsnl.com Website.: www.belainstruments.com

For Upgradation, BI reserves the rights to alter the specifications at any time.